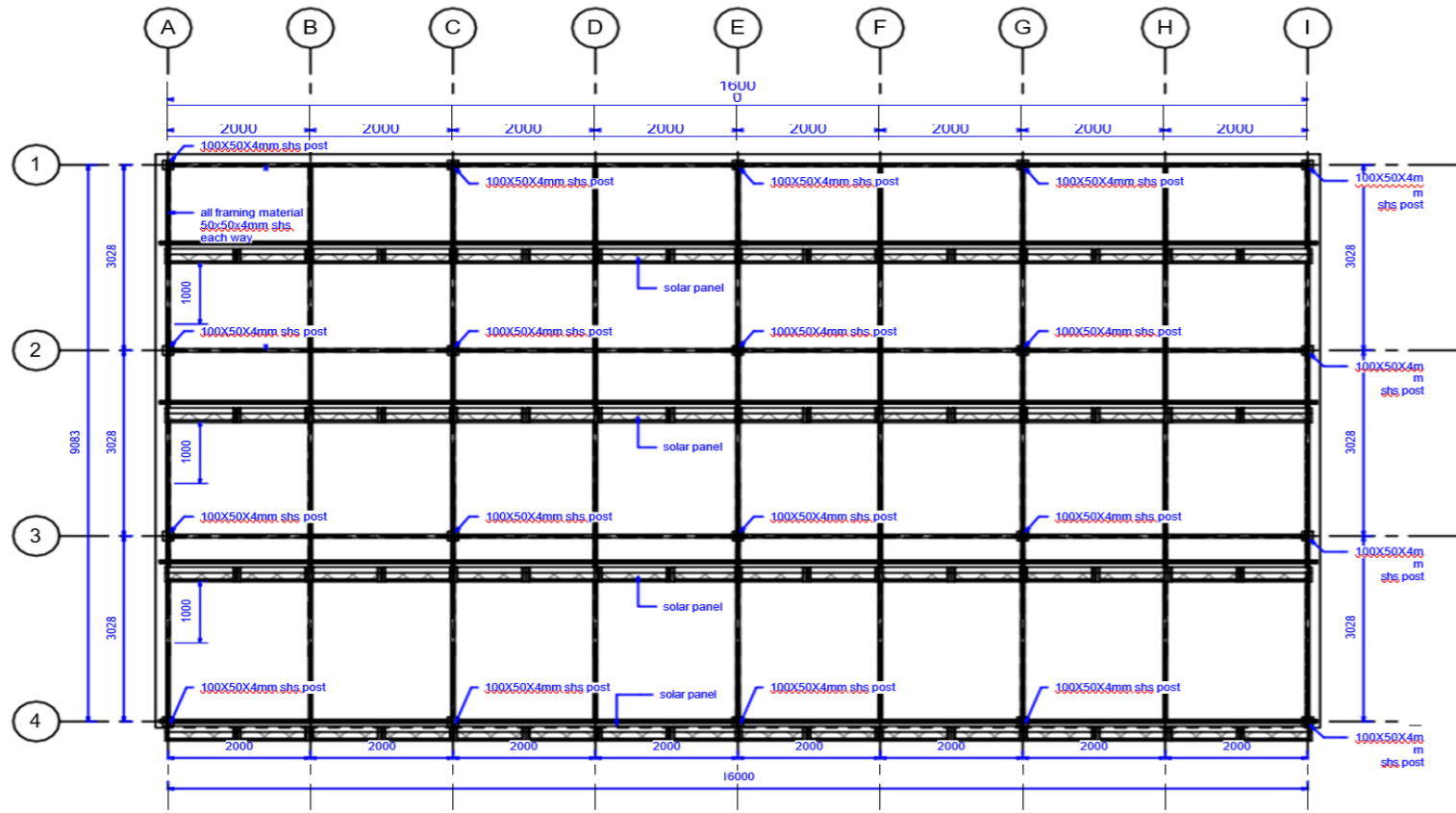
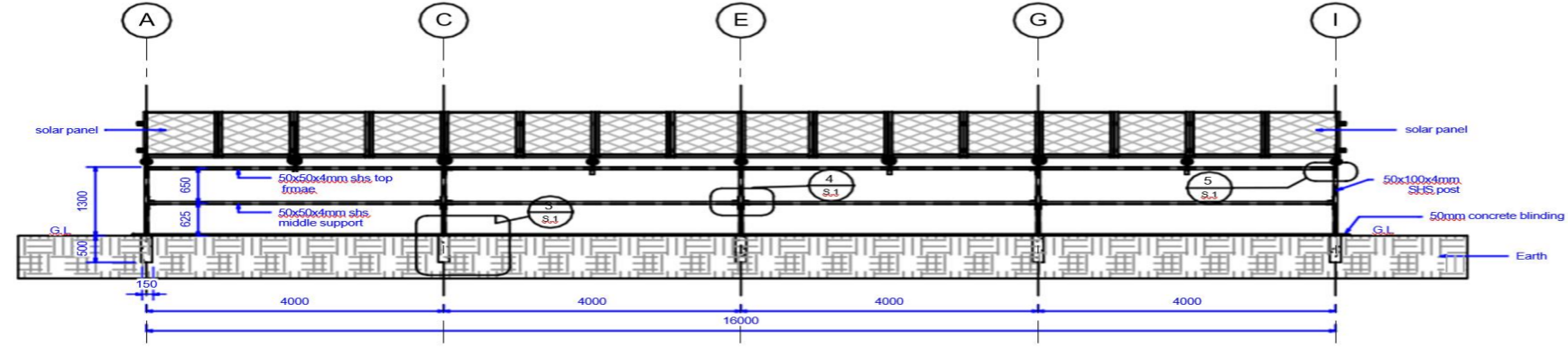


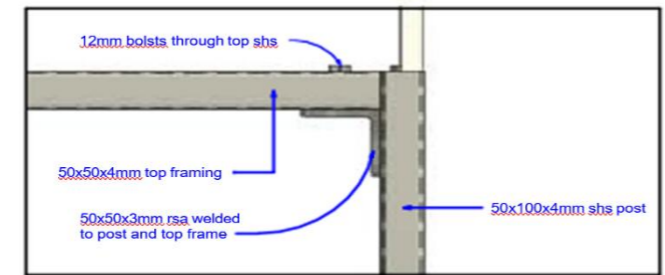
SOLAR MOUNTING STRUCTURE



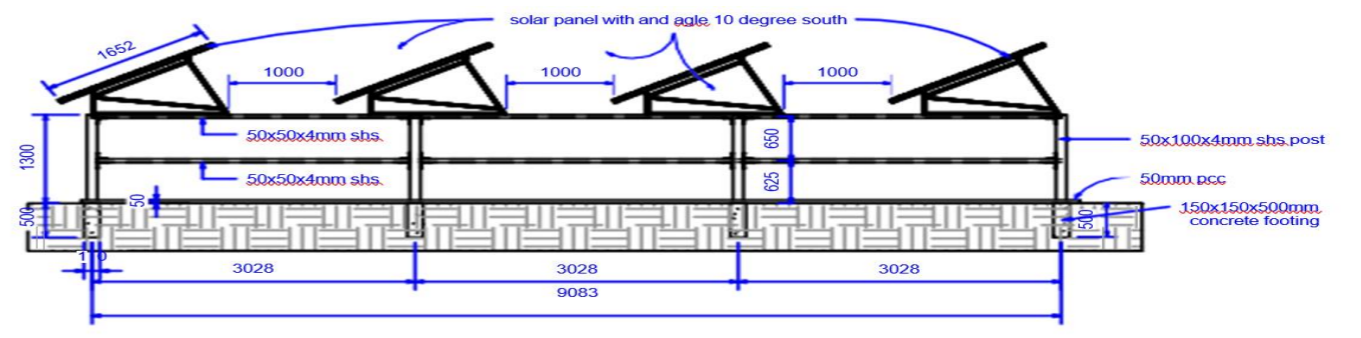
1. 2. FRAME TOP VIEW
1: 50



2. South Elevation
1: 50



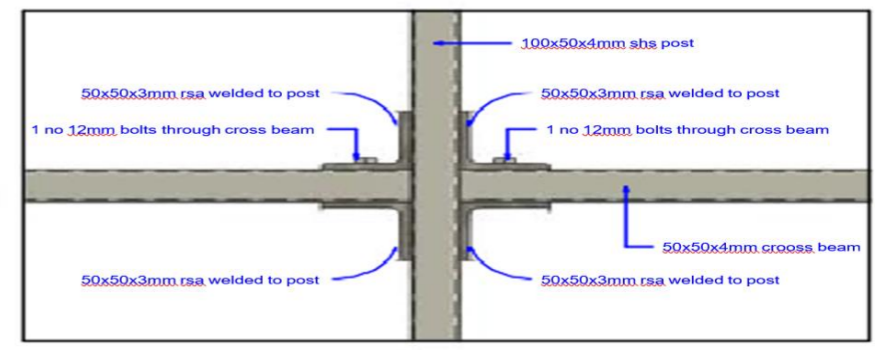
5. South Elevation - Callout 3
1: 5



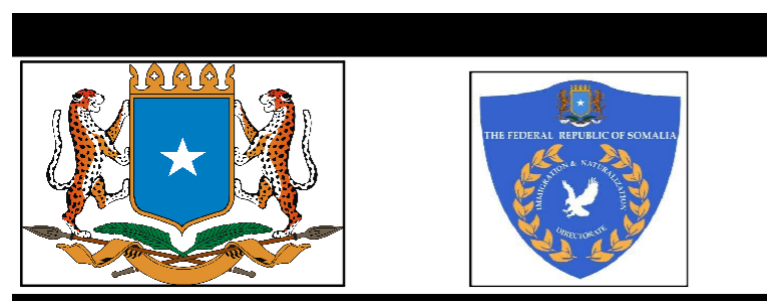
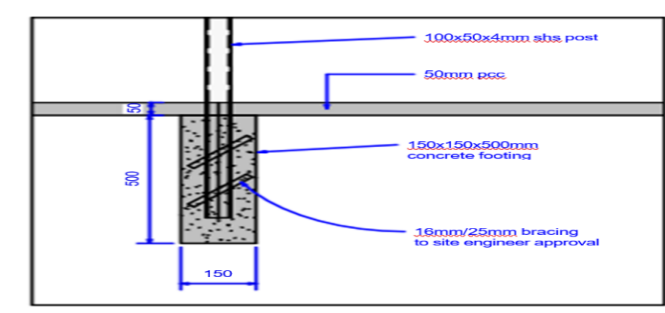
6. East Elevation
1: 50




7. 3D PRESPECTIVE VIEW
1: 1

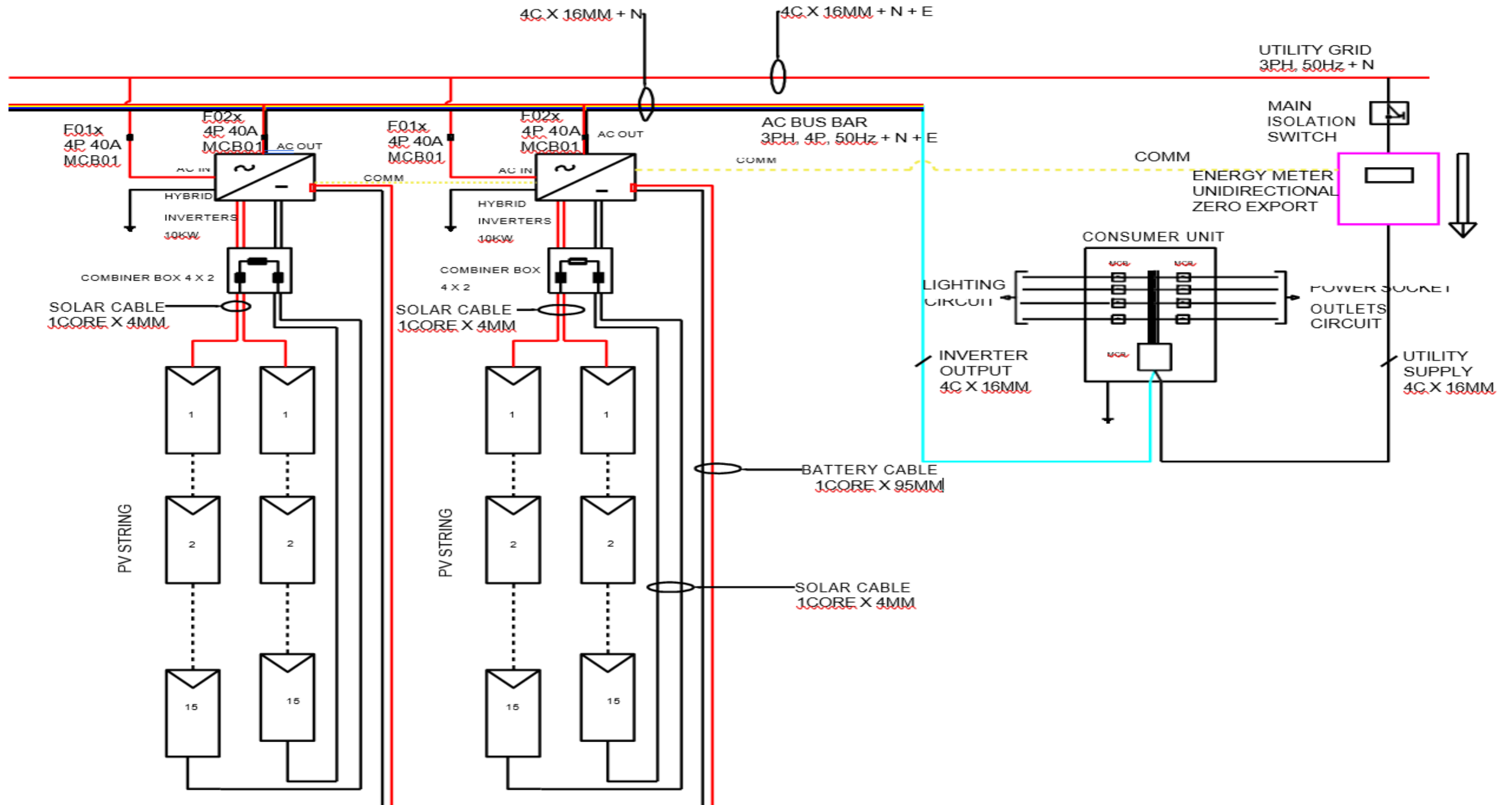


3. South Elevation - Callout 1
1: 10



PROJECT DETAILS		Drawing Title:		Revision No.	
Project Title:	Implementation Partner:	MIDAS Solar installation at Abudwak and Guriel Airports, and Balam-Bale and Fer-Fer Land Border		03	
PROPOSED SOLAR POWER OF GURIEL AND ABUDWAQ, FERFER AND BALAMBALE MIDAS WORKSTATIONS	 IOM Immigration Border Governance (IBG) Unit	Drawn by:	Checked & approved by:	Sheet No.	Scale:
		ENG. BASHIR ALI		02	
Date:	AUGUST 2023	SOLAR INSTALLATION LAYOUT			

PANEL CONNECTION DIAGRAM

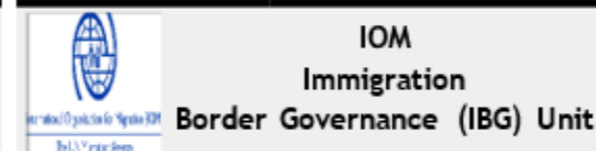


PROJECT DETAILS

Project Title:

PROPOSED SOLAR POWER OF GURIEL AND ABUDWAO, FERFER AND BALAMBAL MIDAS WORKSTATIONS

Implementation Partner:



Drawing Title:

MIDAS Solar installation at Abudwak and Gurriel Airports, and Balam-Bale and Fer-Fer Land Border

Revision No.

03

Drawn by:

ENG. BASHIR ALI

Checked & approved by:

Sheet No.

02

Scale:

Date: AUGUST 2023

SOLAR INSTALLATION LAYOUT